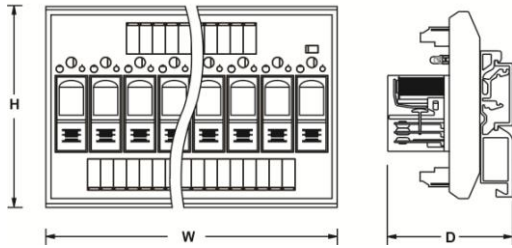
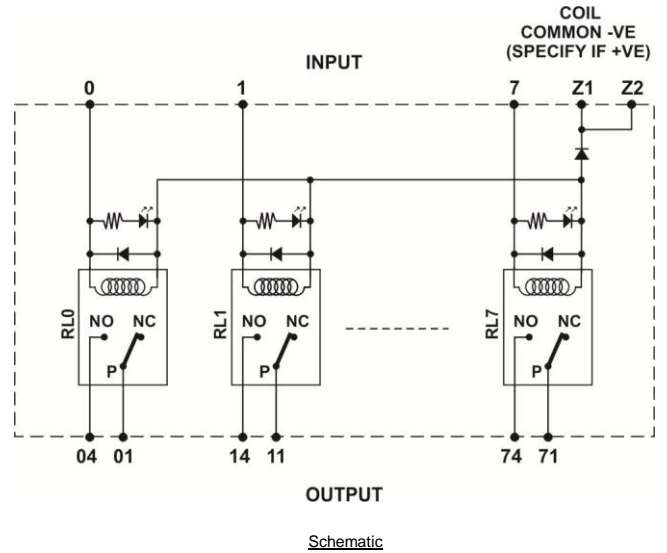


1 N/O RELAY INTERFACE MODULES

1 N/O Modules with Looped Coils



Dimensions



FEATURES	LED & Free wheeling diode across coil. Reverse Polarity blocking diode.							
CONTACT CONFIGURATION	1N/O							
NO. OF CHANNELS	4, 8							
RELAY	NOMINAL COIL VOLTAGE	5VDC	6VDC	12VDC	24VDC	48VDC		
	MUST OPERATE VOLTAGE	4.7VDC	5.5VDC	10.3VDC	20.3VDC	39.1VDC		
	MUST RELEASE VOLTAGE	1.7VDC	1.9VDC	3.1VDC	5.9VDC	10.3VDC		
	MAX. COIL VOLTAGE	5.5VDC	6.6VDC	13.2 VDC	26.4VDC	52.8VDC		
	COIL CURRENT PER CHANNEL ⁽¹⁾	110mA	95mA	50mA	25mA	15mA		
	OPERATE (SET) TIME	15ms max.						
	RELEASE (RESET) TIME	20ms max.						
	ENDURANCE	Electrical : 100,000 operations min. (at 1,800 operations/hr)						
MAX. OPERATING FREQUENCY	Mechanical : 18,000 operations/hr Electrical : 1,800 operations/hr							
DIELECTRIC STRENGTH	1. Coil to coil (when isolated) : 100VAC , 50/60 Hz for 1 minute 2. Coil to contact : 2KVAC , 50/60 Hz for 1 minute 3. Contacts of same polarity : 1KVAC , 50/60 Hz for 1 minute 4. Contacts - channel to channel : 1.5KVC, 50/60 Hz for 1 minute							
CONTACT RATING	RELAY	10A@28VDC/230VAC						
	ON BOARD	5A@28VDC/230VAC						
OPERATING AMBIENT	0-55°C, 85% RH							
STORAGE AMBIENT	-20°C to 85°C							
TERMINATIONS	COIL TERMINATION	Screw type, for 2.5mm sq. wire						
	CONTACT TERMINATION	Screw type, for 2.5mm sq. wire						
MOUNTING	35 mm DIN rail							
ORDERING INFORMATION	AS383, -24V- N- S- OE							
	NO. OF RELAYS	DESIGN NO.	COIL VOLTAGE	COIL LOOPING	RELAY SOCKET	RELAY MAKE	DIMENSIONS W x H x D (mm)	WEIGHT (MAX)
	4	AS383	12V : 12VDC 24V : 24VDC	N : -Ve LOOPING P : +Ve LOOPING	S : WITH SOCKET : SOLDERED	OE : OEN 58 OL : OMRON G2RL	68 x 80 x 70	150 grams
8	AS385					113 x 80 x 70	330 grams	
Note : 1. Current including LED current.								