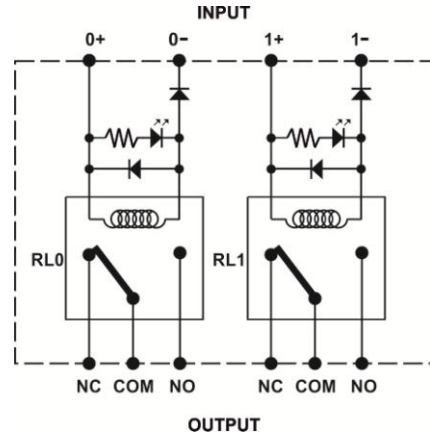
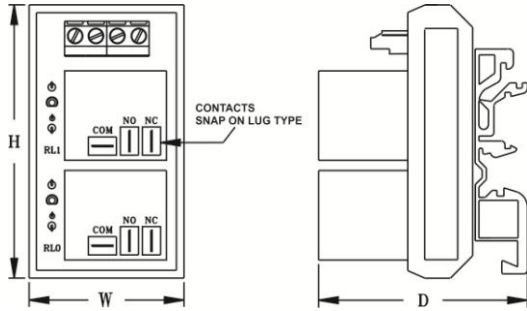


## 1 C/O Relay Module With 30A Contacts



Schematic

Dimensions

<b>FEATURES</b>	LED & Free wheeling diode across coil. Reverse Polarity blocking diode. Contacts rated for 30A.			
<b>CONTACT CONFIGURATION</b>	1C/O			
<b>NO. OF CHANNELS</b>	1, 2			
<b>RELAY</b>	<b>NOMINAL COIL VOLTAGE</b>	12VDC	24VDC	
	<b>MUST OPERATE VOLTAGE</b>	10.3VDC	19.9VDC	
	<b>MUST RELEASE VOLTAGE</b>	3.1VDC	5.5VDC	
	<b>MAX. COIL VOLTAGE</b>	13.2 VDC	26.4VDC	
	<b>COIL CURRENT PER CHANNEL<sup>(1)</sup></b>	90mA	45mA	
	<b>OPERATE (SET) TIME</b>	15ms max.		
	<b>RELEASE (RESET) TIME</b>	20ms max.		
	<b>ENDURANCE</b>	Electrical : 100,000 operations min. (at 1,800 operations/hr)		
	<b>MAX. OPERATING FREQUENCY</b>	Mechanical : 18,000 operations/hr Electrical : 1,800 operations/hr		
<b>DIELECTRIC STRENGTH</b>	1. Coil to coil : 100VAC , 50/60 Hz for 1 minute 2. Coil to contact : 1.5KVAC , 50/60 Hz for 1 minute 3. Contacts of same polarity : 1KVAC , 50/60 Hz for 1 minute 4. Contacts - channel to channel : 1.5KVC, 50/60 Hz for 1 minute			
<b>CONTACT RATING</b>	<b>RELAY</b>	30A@28VDC/230VAC		
	<b>ON BOARD</b>	30A@28VDC/230VAC		
<b>OPERATING AMBIENT</b>	0-55°C, 85% RH			
<b>STORAGE AMBIENT</b>	-20°C to 85°C			
<b>TERMINATIONS</b>	<b>COIL TERMINATION</b>	Screw type, for 1.5mm sq. wire		
	<b>CONTACT TERMINATION</b>	Snap on Lug type, 6.3mm		
<b>MOUNTING</b>	35 mm DIN rail			
<b>ORDERING INFORMATION</b>	AS548 - 101 - 24V			
	<b>DESIGN NO.</b>	<b>NO. OF RELAYS</b>	<b>COIL VOLTAGE</b>	<b>DIMENSIONS W x H x D (mm)</b>
	AS548	101 : 1 102 : 2	12V : 12VDC 24V : 24VDC	48 x 80 x 65
				90 grams 120 grams

Note : 1. Current including LED current.