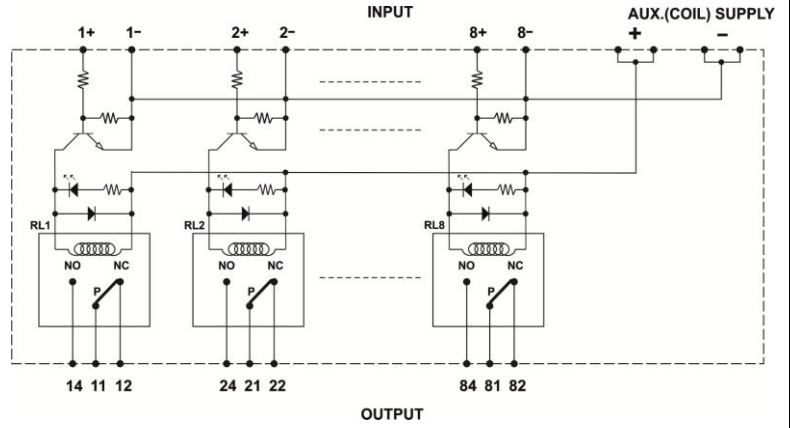


1C/O Relay Module With TTL / Low current input



Dimensions



Schematic

FEATURES	<ul style="list-style-type: none"> LED & Free wheeling diode across coil Low current control input 						
CONTACT CONFIGURATION	1C/O						
NO. OF CHANNELS	8						
INPUT TYPE	PNP / SOURCING ⁽²⁾						
INPUT	NOMINAL INPUT (TTL) VOLTAGE	5VDC		24VDC			
	MUST OPERATE VOLTAGE	1.9VDC		9VDC			
	MUST RELEASE VOLTAGE	1VDC		5VDC			
	MAX. INPUT VOLTAGE	10VDC		30VDC			
	INPUT CURRENT PER CHANNEL	1mA		5mA			
RELAY	OPERATE (SET) TIME	15ms max.					
	RELEASE (RESET) TIME	20ms max.					
	ENDURANCE	Mechanical : 20,000,000 operations min. (at 1,800 operations/hr) Electrical : 100,000 operations min. (at 1,800 operations/hr under rated load)					
	MAX. OPERATING FREQUENCY	Mechanical : 18,000 operations/hr Electrical : 1,800 operations/hr					
AUX. (COIL) VOLTAGE	12VDC / 24VDC +/-10% (50mA / 25mA per channel) ^{(1) (2)}						
DIELECTRIC STRENGTH	1. TTL input to contacts : 1.5KVAC , 50/60 Hz for 1 minute 2. Coil to contact : 1.5KVAC , 50/60 Hz for 1 minute 3. Contacts of same polarity : 1KVAC , 50/60 Hz for 1 minute 4. Contacts - channel to channel : 1.5KVAC , 50/60 Hz for 1 minute						
CONTACT RATING	RELAY	10A@28VDC/230VAC					
	ON BOARD	5A@28VDC/230VAC					
OPERATING AMBIENT	0~55°C, 85% RH						
STORAGE AMBIENT	-20°C to 85°C						
TERMINATIONS	COIL SIDE	Screw type, for 2.5mm sq. wire					
	CONTACT SIDE	Screw type, for 2.5mm sq. wire					
MOUNTING	35 mm DIN rail						
ORDERING INFORMATION							
	NO. OF RELAYS	DESIGN NO.	TTL INPUT	RELAY COIL VOLTAGE	RELAY MAKE	DIMENSIONS W x H x D (mm)	WEIGHT (MAX)
	4	AS253	5V : 5VDC 24V : 24VDC	12V : 12VDC 24V : 24VDC	OE : OEN 58 OL : OMRON G2RL	68 x 80 x 70	220 grams
8	AS254				137 x 80 x 70	340 grams	

Note : 1. Current including LED current.

2. ⚠ CAUTION: Input common (0V) & Aux. -Ve (0V) are shorted internally.