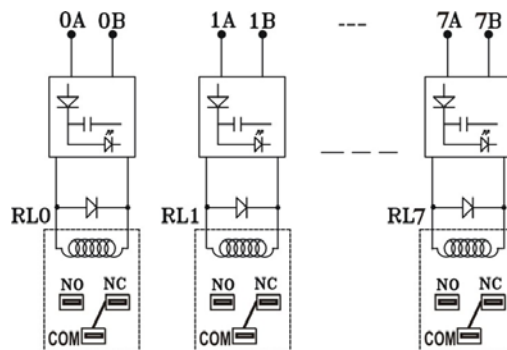
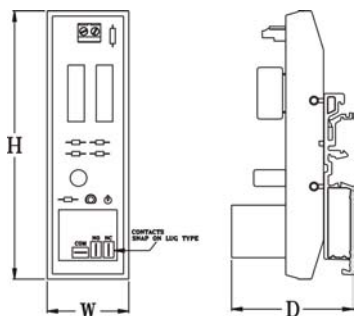


1 C/O Relay Module With High Voltage Isolated Coils & 30A Contacts



30A CONTACTS



Schematic

FEATURES	LED & Free wheeling diode across coil. Contacts rated for 30A.				
CONTACT CONFIGURATION	1C/O				
NO. OF CHANNELS	1, 2, 4, 6, 8				
RELAY	NOMINAL COIL VOLTAGE⁽¹⁾	48VDC	110VDC	110VAC	230VAC
	MUST OPERATE VOLTAGE	40VDC	90VDC	90VAC	185VAC
	MUST RELEASE VOLTAGE	10VDC	20VDC	20VAC	45VAC
	MAX. COIL VOLTAGE	55VDC	130VDC	130VAC	270VAC
	COIL CURRENT PER CHANNEL⁽²⁾	45mA	45mA	45mA	45mA
	INRUSH CURRENT	3.2A at 230VAC, 1.5A at 110VAC			
	OPERATE (SET) TIME	15ms max.			
	RELEASE (RESET) TIME	20ms max.			
	ENDURANCE	Electrical : 100,000 operations min. (at 1,800 operations/hr)			
MAX. OPERATING FREQUENCY	Mechanical : 18,000 operations/hr Electrical : 1,800 operations/hr				
DIELECTRIC STRENGTH	1. Coil to coil : 1.5KVAC, 50/60 Hz for 1 minute 2. Coil to contact : 1.5KVAC, 50/60 Hz for 1 minute 3. Contacts of same polarity : 1KVAC, 50/60 Hz for 1 minute 4. Contacts - channel to channel : 1.5KVAC, 50/60 Hz for 1 minute				
CONTACT RATING	30A@28VDC/230VAC				
OPERATING AMBIENT	0~55°C, 85% RH				
STORAGE AMBIENT	-20°C to 85°C				
TERMINATIONS	COIL TERMINATION	Screw type, for 2.5mm sq. wire			
	CONTACT TERMINATION	Snap on Lug type, 6.3mm			
MOUNTING	35 mm DIN rail				
ORDERING INFORMATION	AS701, -230VAC, -30A				
	NO. OF RELAYS	DESIGN NO.	COIL VOLTAGE⁽¹⁾	CONTACT RATING	DIMENSIONS W x H x D (mm)
	1	AS701	DC VOLTAGE 48VDC : 48VDC 110VDC : 110VDC AC VOLTAGE 110VAC : 110VAC 230VAC : 230VAC	30A : 28VDC, 30A 230VAC, 30A	48 x 115 x 65
	2	AS702			Upon Request
	4	AS703			Upon Request
	6	AS704			Upon Request
	8	AS705			Upon Request

Note : 1. These modules are with basic relay of 24VDC coil along with suitable voltage converter.
2. Current including LED current.