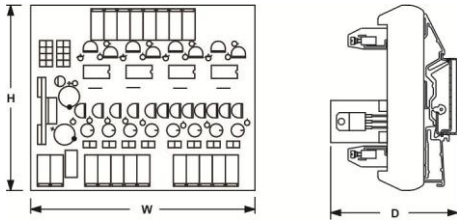
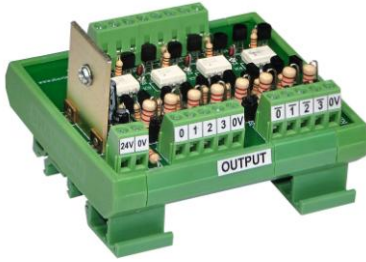
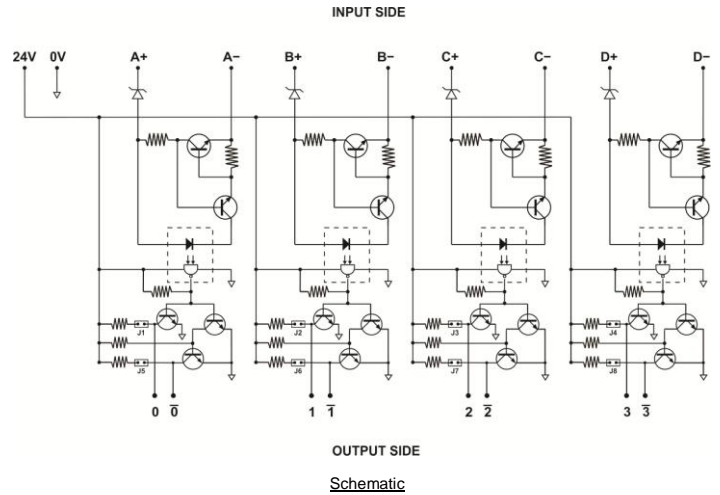


## HIGH SPEED OPTO INTERFACE MODULE



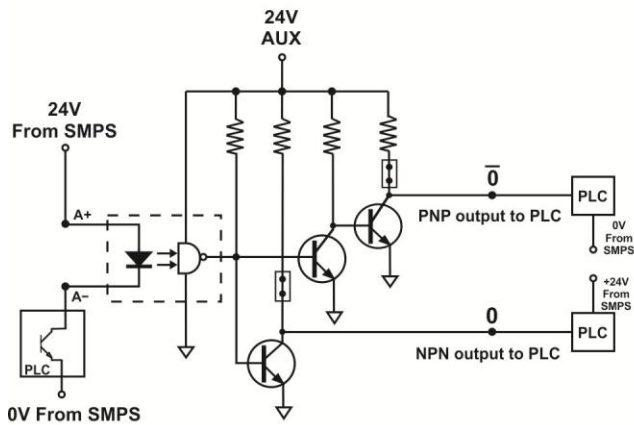
Dimensions



Schematic

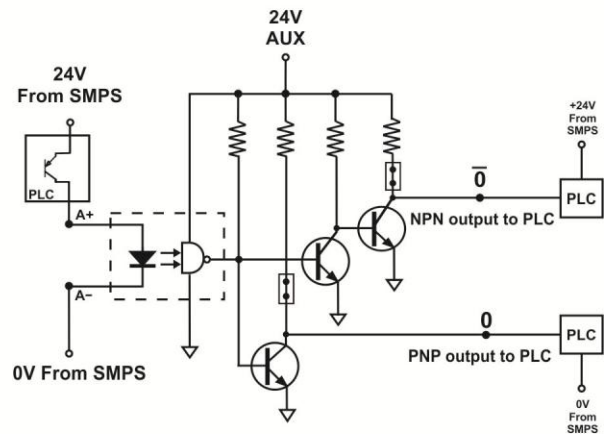
**Note :** Default jumper setting is 24V output.  
When jumpers are removed open collector output is available on terminals.

### TYPICAL CONNECTIONS : FOR PLC APPLICATION



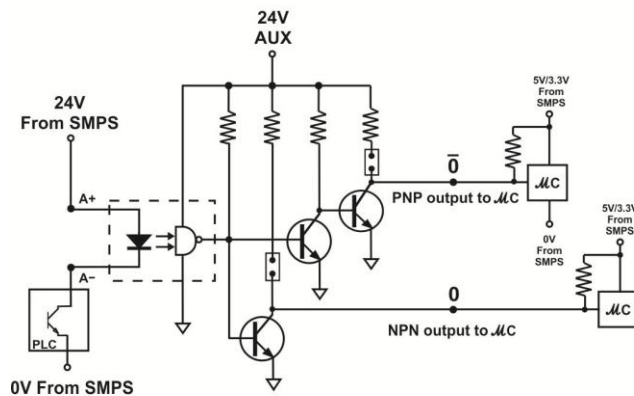
Keep jumpers J1-J8 ( J1-J4 non inverted output & J5-J8 inverted output ) short for 24V output.

NPN INPUT



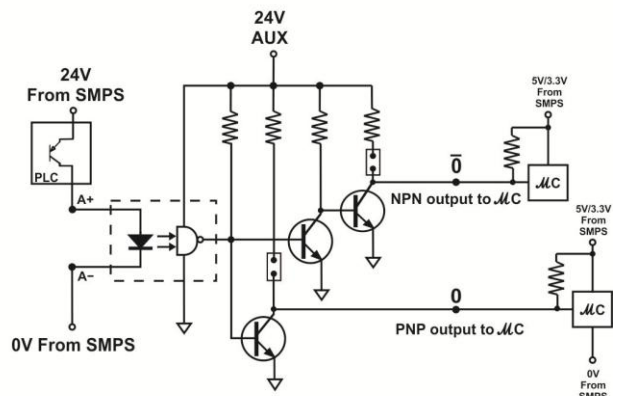
PNP INPUT

### TYPICAL CONNECTIONS : FOR MICROCONTROLLER APPLICATION



Keep jumpers J1-J8 ( J1-J4 non inverted output & J5-J8 inverted output ) open for open collector output.

NPN INPUT



PNP INPUT

<b>FEATURES</b>	<ul style="list-style-type: none"> <li>Optical Isolation between Input &amp; Output</li> <li>Low input current</li> <li>Wide input voltage range</li> <li>High speed operation at 200KHz</li> <li>24V output or open collector output selectable through jumpers.</li> </ul>					
<b>NO. OF CHANNELS</b>	4					
<b>AUXILIARY SUPPLY</b>	24V / 80mA					
<b>INPUT</b>	<b>INPUT VOLTAGE</b>	3V to 12V			12V to 30V	
	<b>INPUT CURRENT PER CHANNEL</b>	< 15mA				
	<b>MAX. OPERATING FREQUENCY</b>	200KHz				
<b>OUTPUT</b>	<b>RATING</b>	24V /10mA ( Jumpers short )			3.3V-30V / 30mA ( Open Collector )	
	<b>DIELECTRIC STRENGTH</b>	1. Inputs - channel to channel (when isolated) : 100VAC, 50/60 Hz for 1 minute 2. Input to Output : Optical - 500VAC, 50/60 Hz for 1 minute 3. Outputs - channel to channel (when isolated) : 100VAC, 50/60 Hz for 1 minute				
<b>OPERATING AMBIENT</b>	0~55°C, 85% RH					
<b>STORAGE AMBIENT</b>	-20°C to 85°C					
<b>TERMINATIONS</b>	<b>INPUT SIDE</b>	Screw type, for 2.5mm sq. wire				
	<b>OUTPUT SIDE</b>	Screw type, for 2.5mm sq. wire				
<b>MOUNTING</b>	35 mm DIN rail					
<b>ORDERING INFORMATION</b>						
	<b>NO. OF CHANNELS</b>	<b>DESIGN NO.</b>	<b>INPUT VOLTAGE</b>	<b>OUTPUT VOLTAGE</b>	<b>DIMENSIONS W x H x D (mm)</b>	<b>WEIGHT (MAX)</b>
	4	AS923	101 : 3V ~ 12V 102 : 12V ~ 30V	24V DC ( 10mA )	92 x 80 x 70	123 grams