

Universal Timer/Counter

Order Code : PC13-203

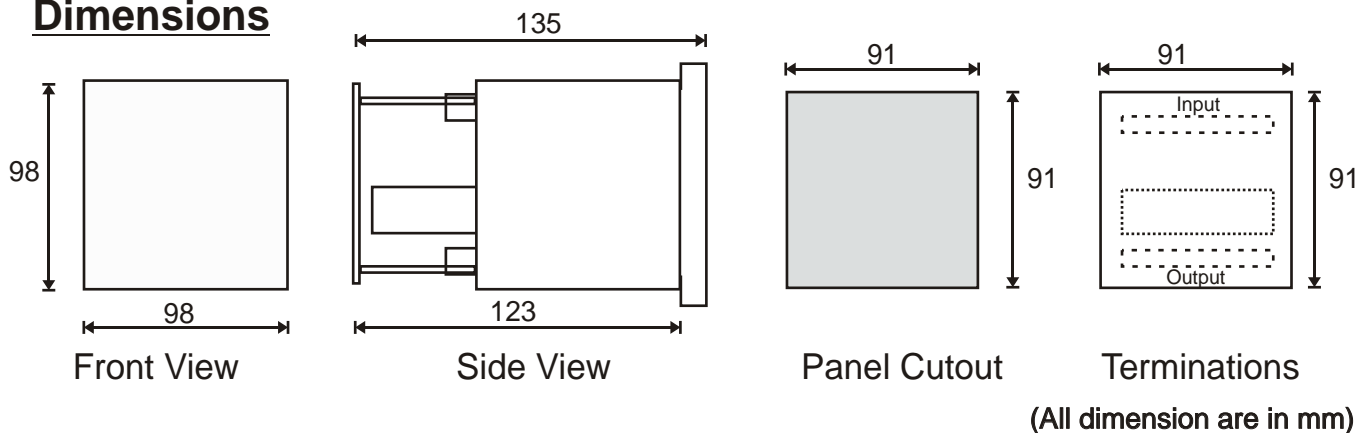
Universal Timer/Counter is intended to be used in machines requiring multiple no. of timers & counters.

The Inputs, Outputs, Timers & Counters can be integrated to each other by the user through parameter settings.

General Specifications:

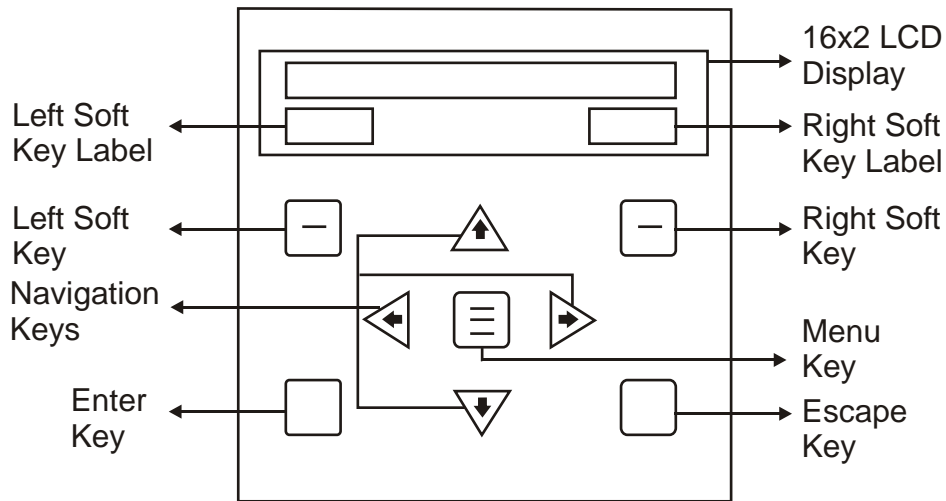
No of Inputs	8
No of Outputs	5
No of Timers	5
No of Counters	8
Password	1234 (Default)
Timer - Range	0.01 to 650 sec
Counter - Range	0 to 65000 Counts
Inputs	8-15VDC, 5mA
Outputs	SSR 24VDC, 2.5A max. Each
Input Indication	Red LED
Output Indication	Red LED
Termination	Screw type, suitable For 1.5 mm sq wire
Display	16x2 LCD with backlit
Keys	5 Navigation + 2 Soft + 2 Function Keys
Internal power supply sourcing capacity for external elements	12VDC : Up to 0.5 Amp
Aux Supply	90-270 VAC/DC, 1 Amp max

Dimensions

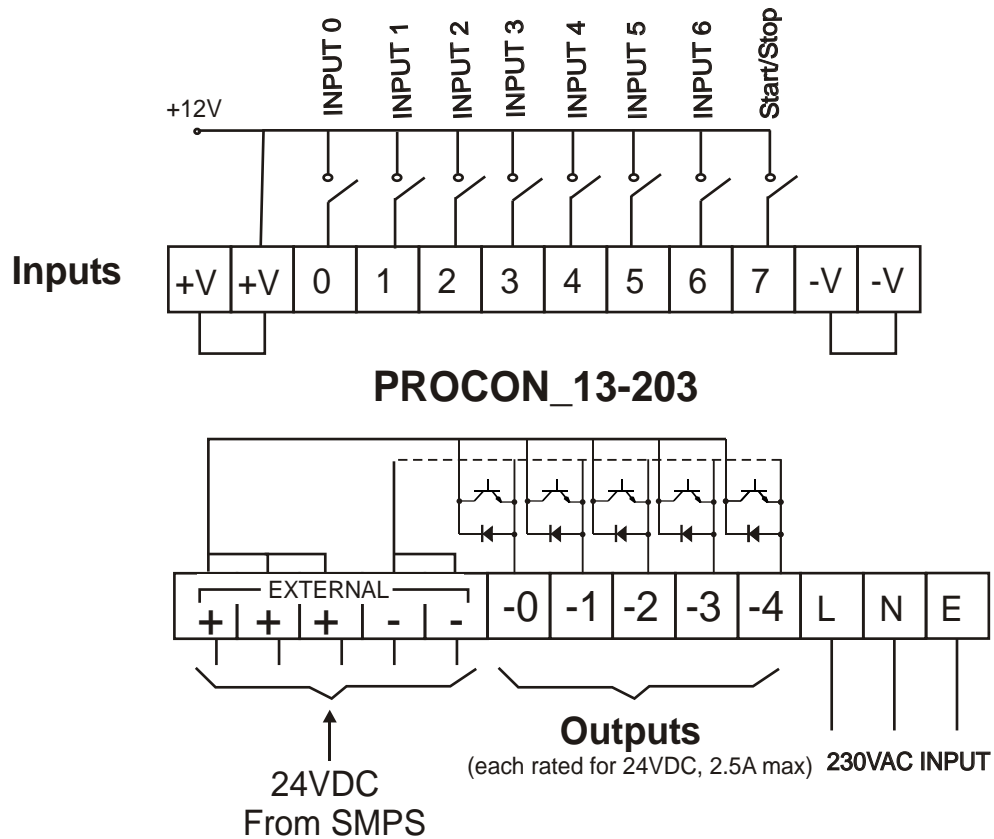


Due to continuous development, the details are subject to change without prior notice

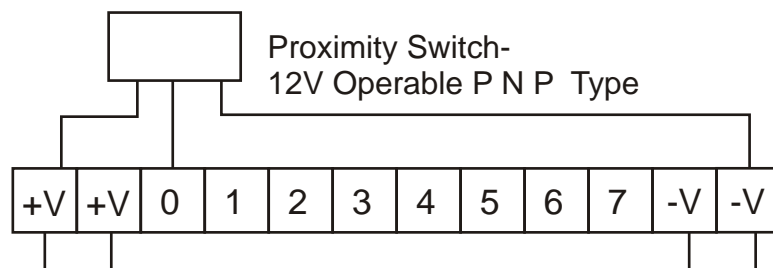
Overview of control keys



Terminal Connections

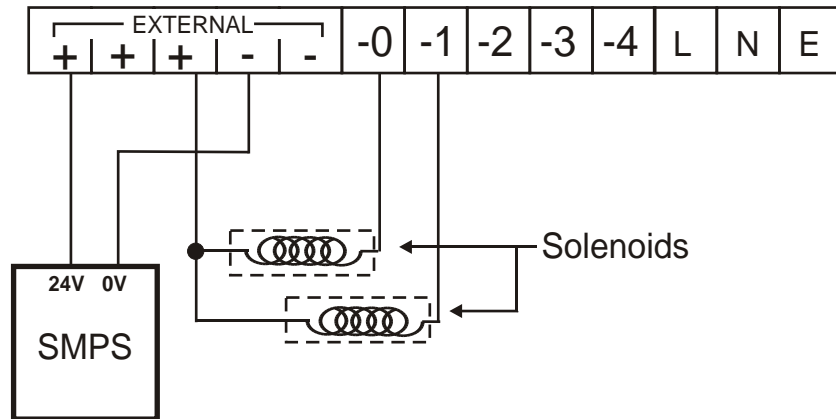


Typical Connections For Proximity Switch



Typical Connections for Load

24VDC Solenoid coils connected to output 0 & 1 :-



Self Test procedure

Press and hold both left ◀ & right ▶ key simultaneously for 1 Second.
 Display will show diagnostic text on the screen.
 Press the upper left soft key to get into self diagnostic mode.

Input Section:

Connect +Ve terminal to input terminal one by one.
 Corresponding Input LED will glow and display will show the corresponding input and output number as shown below.

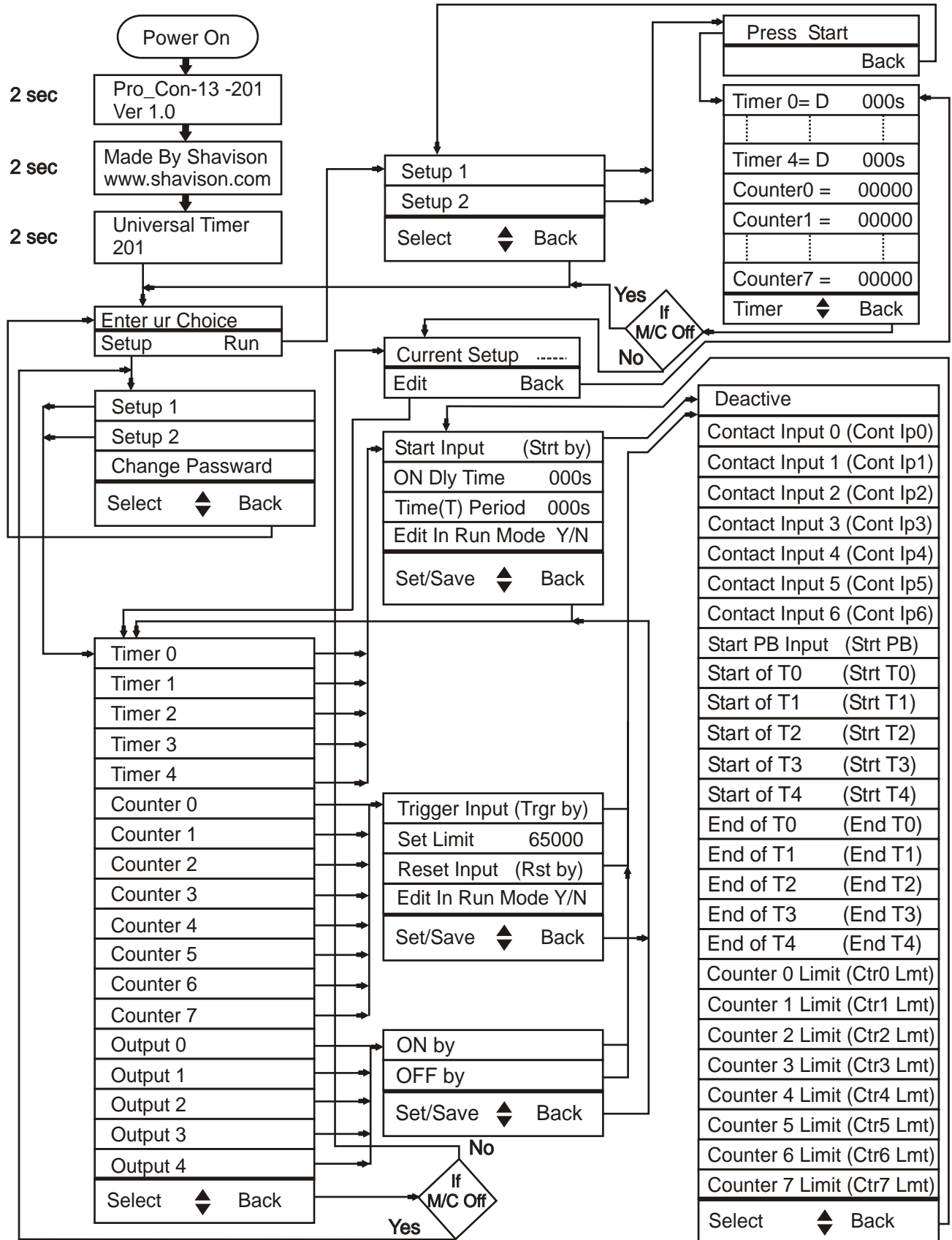
INPUT APPLIED AT TERMINAL NO	DISPLAY	
	INPUT	OUTPUT*
0	0	1
1	1	2
2	2	3
3	3	4
4	4	5
5	5	0
6	6	0
7	7	0

*Connect 24V SMPS as shown in Typical connection diagram

Output Section:

Press Green button repeatedly.
 Corresponding Output LED will glow one by one.

Screen Architecture / Operation



Note : Values in () shows text on LCD screen