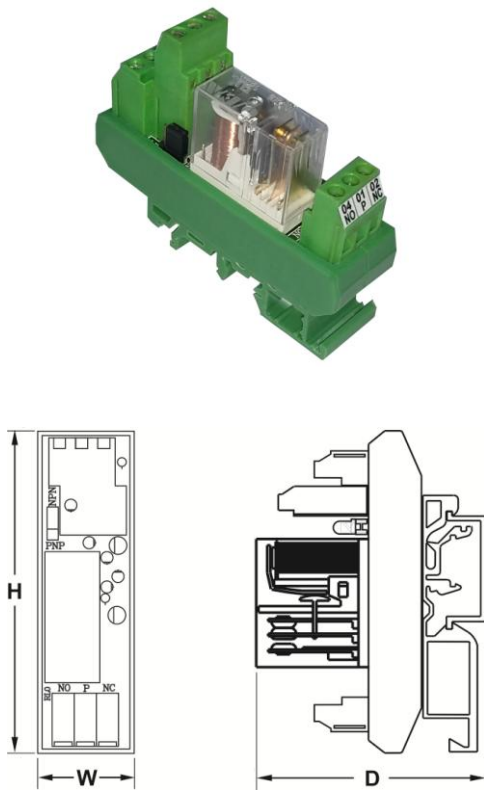


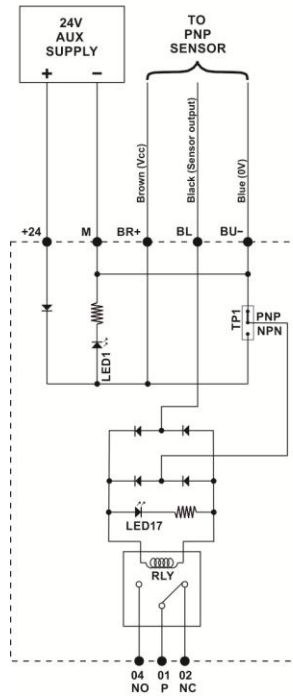
PNP / NPN SENSOR INPUT RELAY MODULE

TYPICAL APPLICATION

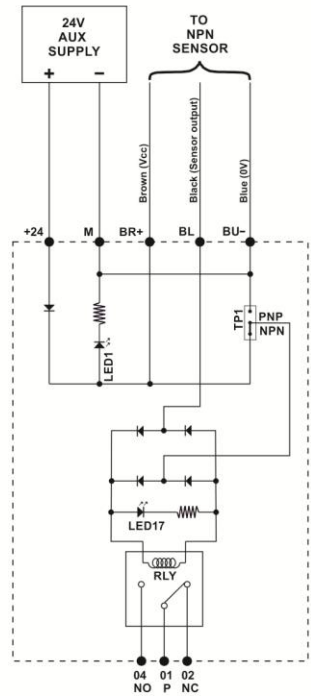


Dimensions

Using PNP sensor

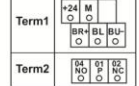


Using NPN sensor



TP1 : Jumper for PNP / NPN Selection.
LED1 : Green (Aux. supply).
LED17 : Red (Sensor input).

Terminal layout & Designations



schematic

Note: Default jumper setting for PNP.

FEATURES	LED indication for relay ON / OFF PNP & NPN selection at coil side by jumpers.					
CONTACT CONFIGURATION	1C/O					
NO. OF CHANNELS	1					
RELAY	NOMINAL COIL VOLTAGE	24VDC				
	MUST OPERATE VOLTAGE	21VDC				
	MUST RELEASE VOLTAGE	6.2VDC				
	MAX. COIL VOLTAGE	26.4VDC				
	COIL CURRENT PER CHANNEL⁽¹⁾	25mA				
	OPERATE (SET) TIME	15ms max.				
	RELEASE (RESET) TIME	20ms max.				
	ENDURANCE	Electrical : 100,000 operations min. (at 1,800 operations/hr)				
MAX. OPERATING FREQUENCY	Mechanical : 18,000 operations/hr Electrical : 1,800 operations/hr					
DIELECTRIC STRENGTH	1. Coil to coil (when isolated) : 100VAC , 50/60 Hz for 1 minute 2. Coil to contact : 2KVAC , 50/60 Hz for 1 minute 3. Contacts of same polarity : 1KVAC , 50/60 Hz for 1 minute 4. Contacts - channel to channel : 1.5KVAC, 50/60 Hz for 1 minute					
CONTACT RATING	RELAY	10A@28VDC/230VAC				
	ON BOARD	5A@28VDC/230VAC				
OPERATING AMBIENT	0~55°C, 85% RH					
STORAGE AMBIENT	-20°C to 85°C					
TERMINATIONS	COIL TERMINATION	Screw type, for 2.5mm sq. wire				
	CONTACT TERMINATION	Screw type, for 2.5mm sq. wire				
MOUNTING	35 mm DIN rail					
ORDERING INFORMATION	AS471 - 24V - S - OE					
	NO. OF RELAYS	DESIGN NO.	COIL VOLTAGE	RELAY SOCKET	RELAY MAKE	DIMENSIONS W x H x D (mm)
	1	AS471	24V : 24VDC	S : WITH SOCKET : SOLDERED	OE : OEN 58	24 x 80 x 70
Weight (MAX) : 60 grams						

Note : 1. Current including LED current.