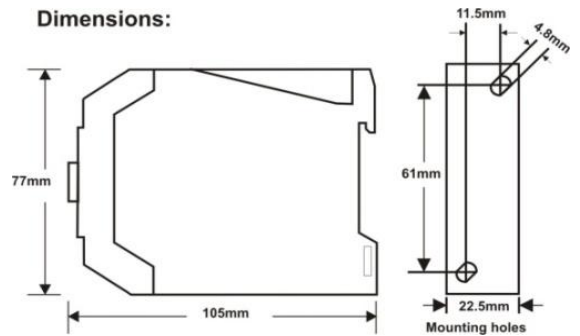


Voltage Monitor Relay



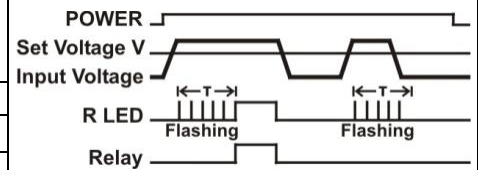
Dimensions:



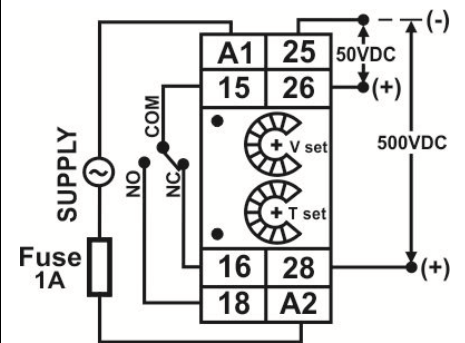
Dimensions

All dimensions in mm

FEATURES	<ul style="list-style-type: none"> ON Delay Output Contact 1 C/O Selectable Input Range : <ul style="list-style-type: none"> 0 – 50VDC 0 – 500VDC High Reliability Compact DIN Rail / Base Mounting 	TIME RANGES	
		0 – 60 Sec	
OPERATING MODES	ON Delay		
INDICATIONS	LED Status Indicator : Power ON, Relay ON		
SUPPLY VOLTAGE	SUPPLY VOLTAGE	85 to 270V AC , 50 / 60Hz or 24VAC / DC (Recommended fuse : 1A, 230V AC Fast blow)	
	POWER CONSUMPTION	4VA Max	
	INRUSH CURRENT	Max. 2A@240V AC for 20ms / 5A@24VDC	
ISOLATION	Supply Terminals – Contact : 3KV, 1min. Supply Terminals – Input Terminals : 3KV, 1min. Contact – Input Terminals : 3KV, 1min.		
OUTPUT SPECIFICATION	OUTPUT CONTACT	SPDT (1 C/O)	
	CONTACT RATING	5A@230V AC / 12V DC, Resistive	
ACCURACY	Setting: ± 5% of Full Scale, Repeat: ±0.5% or 50msec of Full Scale.		
RESET	On interruption of power, Reset time < 100msec		
ENDURANCE	POTENTIOMETER	MECHANICAL : 1000 Cycles	
	RELAY	MECHANICAL : 10,000,000 ops. Minimum (1800 ops./h) ELECTRICAL : 100,000 ops. Minimum (1200 ops./h)	
AMBIENT CONDITIONS	OPERATING AMBIENT	0~55°C, 85% RH	
	STORAGE AMBIENT	-20°C to 85°C	
	HUMIDITY	95% RH non condensing	
GENERAL SPECIFICATIONS	TERMINATIONS	Screw type, for 2.5mm sq. wire	
	MOUNTING	DIN rail / Base Mount	
	WEIGHT	100 gms	
	PROTECTION LEVEL	IP40 for housing, IP20 for terminals, Finger Safe Terminals	
ORDERING INFORMATION	AS690 - XXX		
	ORDER CODE	INPUT VOLTAGE (DC)	SUPPLY VOLTAGE
	AS690-101	101 : Terminals 25 & 26 – 0 to 10VDC (Max. 20VDC) : Terminals 25 & 28 – 0 to 100VDC (Max. 200VDC)	85-270VAC
	AS690-102	102 : Terminals 25 & 26 – 0 to 50VDC (Max. 100VDC) : Terminals 25 & 28 – 0 to 500VDC (Max. 1000VDC)	
	AS690-201	201 : Terminals 25 & 26 – 0 to 10VDC (Max. 20VDC) : Terminals 25 & 28 – 0 to 100VDC (Max. 200VDC)	24VAC / DC
AS690-202	202 : Terminals 25 & 26 – 0 to 50VDC (Max. 100VDC) : Terminals 25 & 28 – 0 to 500VDC (Max. 1000VDC)		



Timing Diagram



Terminal Connections