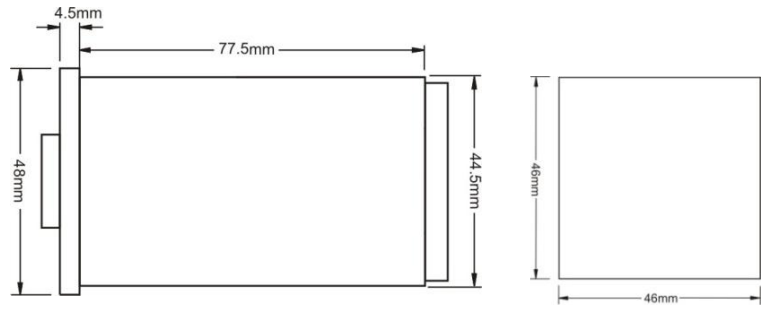


# ANALOG TIMER : T4DU-30H-U

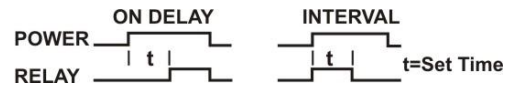


**ON Delay / Interval – Long Duration,  
Universal Supply**

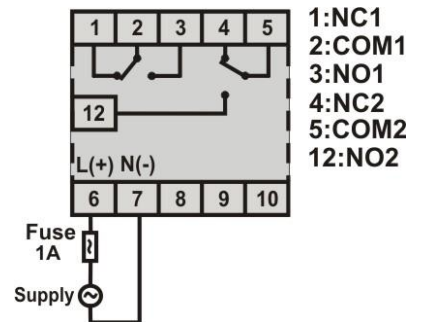
**Dimensions**

<b>FEAURES</b>	<ul style="list-style-type: none"> <li>ON Delay / Interval</li> <li>12 time ranges</li> <li>Universal Supply Voltage</li> <li>Low Cost</li> <li>High Reliability</li> <li>Compact</li> <li>Panel Mounting</li> </ul>	<b>TIME RANGES</b>	<table style="width: 100%; border-collapse: collapse;"> <tr> <td style="text-align: center;"><b>SCALE</b></td> <td style="text-align: center;"><b>TIME RANGE</b></td> <td style="text-align: center;"><b>MODE</b></td> </tr> <tr> <td style="text-align: center;"> <table border="1" style="display: inline-table; width: 20px; height: 20px; text-align: center; vertical-align: middle;"> <tr><td>1</td><td>2</td></tr> </table> 1                 </td> <td style="text-align: center;"> <table border="1" style="display: inline-table; width: 20px; height: 20px; text-align: center; vertical-align: middle;"> <tr><td>3</td><td>4</td></tr> </table> SEC                 </td> <td style="text-align: center;"> <table border="1" style="display: inline-table; width: 20px; height: 20px; text-align: center; vertical-align: middle;"> <tr><td>5</td><td>6</td></tr> </table> ON DELAY                 </td> </tr> <tr> <td style="text-align: center;"> <table border="1" style="display: inline-table; width: 20px; height: 20px; text-align: center; vertical-align: middle;"> <tr><td>1</td><td>2</td></tr> </table> 3                 </td> <td style="text-align: center;"> <table border="1" style="display: inline-table; width: 20px; height: 20px; text-align: center; vertical-align: middle;"> <tr><td>3</td><td>4</td></tr> </table> MIN                 </td> <td style="text-align: center;"> <table border="1" style="display: inline-table; width: 20px; height: 20px; text-align: center; vertical-align: middle;"> <tr><td>5</td><td>6</td></tr> </table> INTERVAL                 </td> </tr> <tr> <td style="text-align: center;"> <table border="1" style="display: inline-table; width: 20px; height: 20px; text-align: center; vertical-align: middle;"> <tr><td>1</td><td>2</td></tr> </table> 10                 </td> <td style="text-align: center;"> <table border="1" style="display: inline-table; width: 20px; height: 20px; text-align: center; vertical-align: middle;"> <tr><td>3</td><td>4</td></tr> </table> HRS                 </td> <td rowspan="2" style="text-align: center; vertical-align: middle;"> <table border="1" style="display: inline-table; width: 20px; height: 20px; text-align: center; vertical-align: middle;"> <tr><td>DIR</td></tr> <tr><td>ON</td></tr> <tr><td>↑</td></tr> </table> </td> </tr> <tr> <td style="text-align: center;"> <table border="1" style="display: inline-table; width: 20px; height: 20px; text-align: center; vertical-align: middle;"> <tr><td>1</td><td>2</td></tr> </table> 30                 </td> <td style="text-align: center;"> <table border="1" style="display: inline-table; width: 20px; height: 20px; text-align: center; vertical-align: middle;"> <tr><td>3</td><td>4</td></tr> </table> HRS                 </td> <td></td> </tr> </table>	<b>SCALE</b>	<b>TIME RANGE</b>	<b>MODE</b>	<table border="1" style="display: inline-table; width: 20px; height: 20px; text-align: center; vertical-align: middle;"> <tr><td>1</td><td>2</td></tr> </table> 1	1	2	<table border="1" style="display: inline-table; width: 20px; height: 20px; text-align: center; vertical-align: middle;"> <tr><td>3</td><td>4</td></tr> </table> SEC	3	4	<table border="1" style="display: inline-table; width: 20px; height: 20px; text-align: center; vertical-align: middle;"> <tr><td>5</td><td>6</td></tr> </table> ON DELAY	5	6	<table border="1" style="display: inline-table; width: 20px; height: 20px; text-align: center; vertical-align: middle;"> <tr><td>1</td><td>2</td></tr> </table> 3	1	2	<table border="1" style="display: inline-table; width: 20px; height: 20px; text-align: center; vertical-align: middle;"> <tr><td>3</td><td>4</td></tr> </table> MIN	3	4	<table border="1" style="display: inline-table; width: 20px; height: 20px; text-align: center; vertical-align: middle;"> <tr><td>5</td><td>6</td></tr> </table> INTERVAL	5	6	<table border="1" style="display: inline-table; width: 20px; height: 20px; text-align: center; vertical-align: middle;"> <tr><td>1</td><td>2</td></tr> </table> 10	1	2	<table border="1" style="display: inline-table; width: 20px; height: 20px; text-align: center; vertical-align: middle;"> <tr><td>3</td><td>4</td></tr> </table> HRS	3	4	<table border="1" style="display: inline-table; width: 20px; height: 20px; text-align: center; vertical-align: middle;"> <tr><td>DIR</td></tr> <tr><td>ON</td></tr> <tr><td>↑</td></tr> </table>	DIR	ON	↑	<table border="1" style="display: inline-table; width: 20px; height: 20px; text-align: center; vertical-align: middle;"> <tr><td>1</td><td>2</td></tr> </table> 30	1	2	<table border="1" style="display: inline-table; width: 20px; height: 20px; text-align: center; vertical-align: middle;"> <tr><td>3</td><td>4</td></tr> </table> HRS	3	4	
		<b>SCALE</b>		<b>TIME RANGE</b>	<b>MODE</b>																																				
<table border="1" style="display: inline-table; width: 20px; height: 20px; text-align: center; vertical-align: middle;"> <tr><td>1</td><td>2</td></tr> </table> 1	1	2	<table border="1" style="display: inline-table; width: 20px; height: 20px; text-align: center; vertical-align: middle;"> <tr><td>3</td><td>4</td></tr> </table> SEC	3	4	<table border="1" style="display: inline-table; width: 20px; height: 20px; text-align: center; vertical-align: middle;"> <tr><td>5</td><td>6</td></tr> </table> ON DELAY	5	6																																	
1	2																																								
3	4																																								
5	6																																								
<table border="1" style="display: inline-table; width: 20px; height: 20px; text-align: center; vertical-align: middle;"> <tr><td>1</td><td>2</td></tr> </table> 3	1	2	<table border="1" style="display: inline-table; width: 20px; height: 20px; text-align: center; vertical-align: middle;"> <tr><td>3</td><td>4</td></tr> </table> MIN	3	4	<table border="1" style="display: inline-table; width: 20px; height: 20px; text-align: center; vertical-align: middle;"> <tr><td>5</td><td>6</td></tr> </table> INTERVAL	5	6																																	
1	2																																								
3	4																																								
5	6																																								
<table border="1" style="display: inline-table; width: 20px; height: 20px; text-align: center; vertical-align: middle;"> <tr><td>1</td><td>2</td></tr> </table> 10	1	2	<table border="1" style="display: inline-table; width: 20px; height: 20px; text-align: center; vertical-align: middle;"> <tr><td>3</td><td>4</td></tr> </table> HRS	3	4	<table border="1" style="display: inline-table; width: 20px; height: 20px; text-align: center; vertical-align: middle;"> <tr><td>DIR</td></tr> <tr><td>ON</td></tr> <tr><td>↑</td></tr> </table>	DIR	ON	↑																																
1	2																																								
3	4																																								
DIR																																									
ON																																									
↑																																									
<table border="1" style="display: inline-table; width: 20px; height: 20px; text-align: center; vertical-align: middle;"> <tr><td>1</td><td>2</td></tr> </table> 30	1	2	<table border="1" style="display: inline-table; width: 20px; height: 20px; text-align: center; vertical-align: middle;"> <tr><td>3</td><td>4</td></tr> </table> HRS	3	4																																				
1	2																																								
3	4																																								
<b>OPERATING MODES</b>	ON Delay / Interval (switch selectable)																																								
<b>INDICATIONS</b>	LED Status Indicator : Power ON, Relay ON																																								
<b>SUPPLY VOLTAGE</b>	<b>SUPPLY VOLTAGE</b>	20 to 240V AC , 47 – 63Hz or 12 to 240V DC																																							
	<b>POWER CONSUMPTION</b>	2VA Max																																							
	<b>INRUSH CURRENT</b>	Maximum 5 A, at 240V AC for 20ms																																							
<b>ISOLATION</b>	Supply Terminals – Contacts : 1.5KV, 1min. Contact Set1 - Contact Set2 : 1.5KV, 1min.																																								
<b>OUTPUT SPECIFICATION</b>	<b>OUTPUT CONTACT</b>	DPDT (2 C/O)																																							
	<b>CONTACT RATING</b>	5A@230V AC / 24V DC, Resistive																																							
<b>ACCURACY</b>	Setting : ± 5% of Full Scale, Repeat : ± 0.5% or 50msec of Full Scale.																																								
<b>RESET</b>	On interruption of power, Reset time < 100msec																																								
<b>ENDURANCE</b>	<b>POTENTIOMETER</b>	MECHANICAL : 1000 Cycles																																							
	<b>RELAY</b>	MECHANICAL : 10,000,000 ops. Minimum (1800 ops./hr) ELECTRICAL : 100,000 ops. Minimum (1200 ops./hr)																																							
<b>AMBIENT CONDITIONS</b>	<b>OPERATING AMBIENT</b>	0-55°C, 85% RH																																							
	<b>STORAGE AMBIENT</b>	-20°C to 85°C																																							
	<b>HUMIDITY</b>	95% RH non condensing																																							
<b>GENERAL SPECIFICATIONS</b>	<b>TERMINATIONS</b>	Screw type, for 2.5mm sq. wire																																							
	<b>MOUNTING</b>	Panel Mount																																							
	<b>WEIGHT</b>	100gms																																							
	<b>PROTECTION LEVEL</b>	IP40 for faceplate																																							
<b>ORDERING INFORMATION</b>	<b>T4DU - 30H - U</b>																																								
	<b>DESIGN NO.</b>	<b>SUPPLY VOLTAGE</b>																																							
	T4DU-30H	U : 20 to 240V AC , 47-63Hz or 12 to 240V DC																																							

**Switch Settings**



**Timing Diagram**



**Terminal Connections**

**NOTE :** If the time setting is altered , it will be effective from next Power ON.