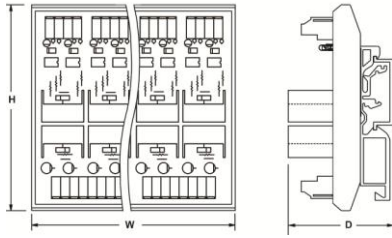
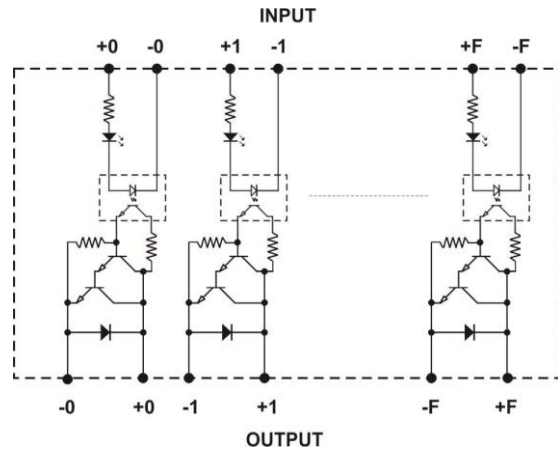


SOLID STATE INTERFACE MODULE WITH OUTPUT: 24V, 2A

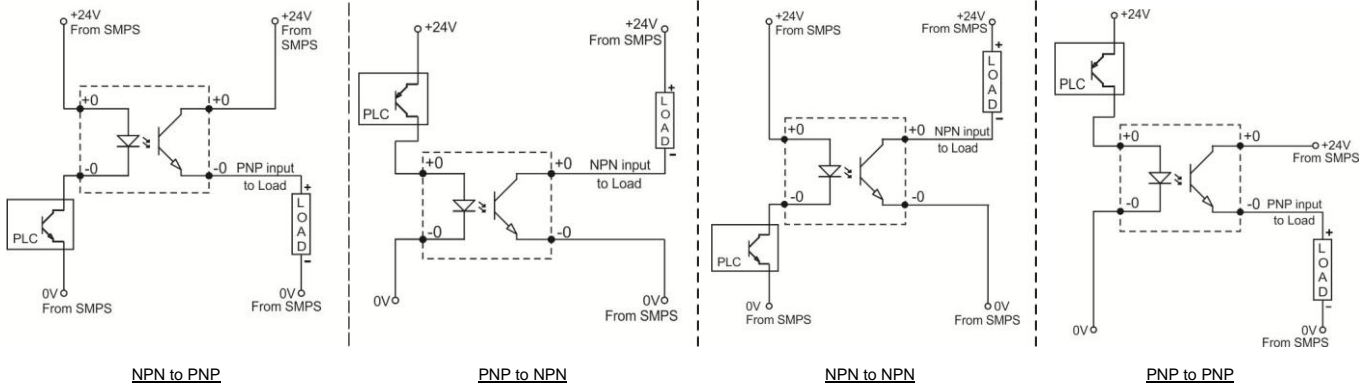


Dimensions



Schematic

Typical Connections: For Resistive Load only [Not recommended for Inductive load. Use AS771 to AS775 (non-isolated) for inductive load]



NPN to PNP

PNP to NPN

NPN to NPN

PNP to PNP

FEATURES	<ul style="list-style-type: none"> Optical Isolation between Input & Output Low Input Current Negligible switching delay Can be used as NPN to PNP Converter or vice versa 				
NO. OF CHANNELS	2, 4, 6, 8, 12, 16				
INPUT	NOMINAL INPUT VOLTAGE	5VDC	12VDC	15VDC	24VDC
	MUST - ON VOLTAGE	4.5VDC	10.8VDC	13.5VDC	21.6VDC
	MUST - OFF VOLTAGE	1.0VDC	3.3VDC	3.3VDC	7.5VDC
	MAX. INPUT VOLTAGE	5.5VDC	13.2VDC	16.5VDC	26.4VDC
	INPUT CURRENT PER CHANNEL ⁽¹⁾	< 15mA			
OUTPUT	RATING	24VDC, 2A Resistive only [Not recommended for Inductive load. Use AS771 to AS775 (non-isolated) for inductive load]			
	OFF STATE LEAKAGE CURRENT	< 20µA			
DIELECTRIC STRENGTH	1. Inputs - channel to channel (when isolated) : 100VAC, 50/60 Hz for 1 minute 2. Input to Output : Optical - 500VAC, 50/60 Hz for 1 minute 3. Outputs - channel to channel : 100VAC, 50/60 Hz for 1 minute				
OPERATING AMBIENT	0-55°C, 85% RH				
STORAGE AMBIENT	-20°C to 85°C				
TERMINATIONS	INPUT SIDE	Screw type, for 2.5mm sq. wire			
	OUTPUT SIDE	Screw type, for 2.5mm sq. wire			
MOUNTING	35 mm DIN rail				
ORDERING INFORMATION	AS785,- 24V,- 24V				
	NO. OF CHANNELS	DESIGN NO.	INPUT VOLTAGE	OUTPUT VOLTAGE	DIMENSIONS W x H x D (mm)
	2	AS782	5V : 5VDC 12V : 12VDC 15V : 15VDC 24V : 24VDC	24VDC, 2A	50 x 115 x 70
	4	AS783			70 x 115 x 70
	6	AS784			92 x 115 x 70
	8	AS785			115 x 115 x 70
	12	AS786			170 x 115 x 70
16	AS787	204 x 115 x 70			
					500 grams

Note : 1. Current including LED current