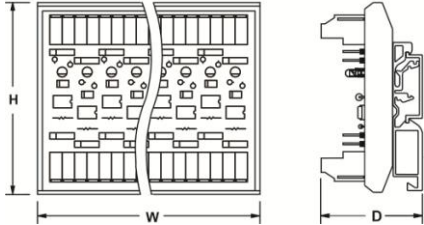
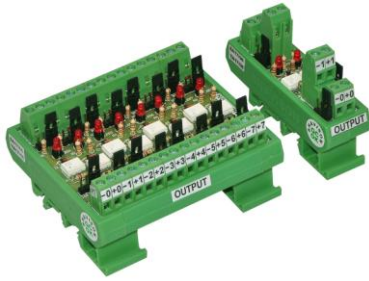
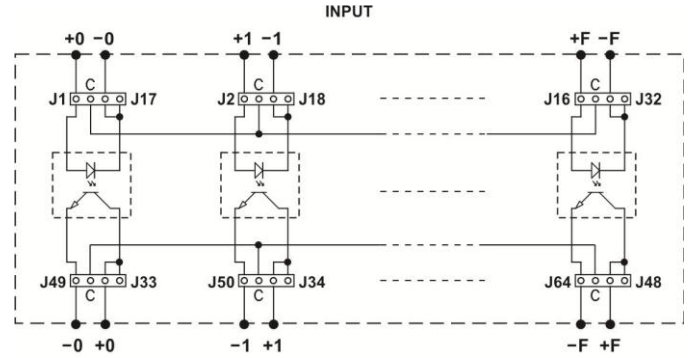


OPTO INTERFACE MODULES DC - DC



Dimensions

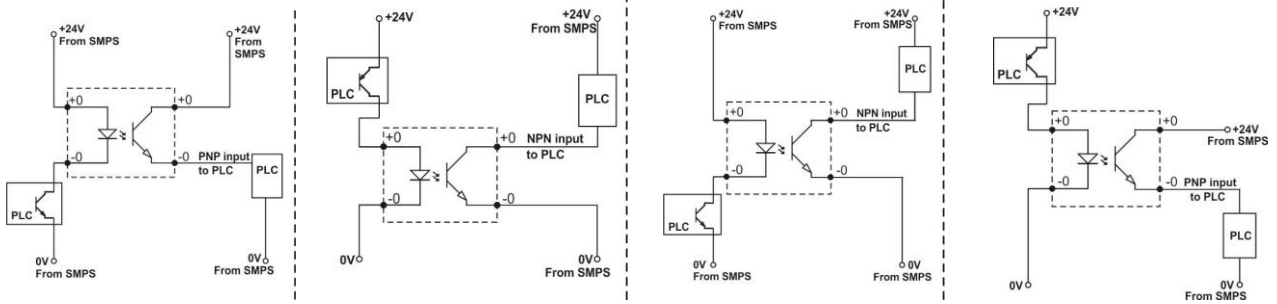


OUTPUT
Schematic

Note : Default jumper setting is **isolated** for both input & output.

- Input looping : +Ve Common – Place jumpers J1 to J16
 -Ve Common – Place jumpers J17 to J32
 Output looping : +Ve Common – Place jumpers J33 to J48
 -Ve Common – Place jumpers J49 to J64.

Typical Connections :



NPN to PNP

PNP to NPN

NPN to NPN

PNP to PNP

FEATURES	<ul style="list-style-type: none"> Optical Isolation between Input & Output Low Input Current Negligible switching delay +Ve or -Ve common through jumper selection Can be used as NPN to PNP Converter or vice versa 						
NO. OF CHANNELS	2, 4, 6, 8, 16						
INPUT	INPUT VOLTAGE	1.3 – 1.8VDC	3.2 – 3.6VDC	5VDC +/-10%	12VDC +/-10%	15VDC +/-10%	24VDC +/-10%
	INPUT CURRENT PER CHANNEL ⁽¹⁾	< 12mA @ rated voltage					
	MAX. OPERATING FREQUENCY	10KHz					
OUTPUT	RATING	5V – 30VDC, 10mA					
	SATURATION VOLTAGE	< 0.5V @5mA					
	OFF STATE LEAKAGE CURRENT	< 20µA / -300mV @30V DC					
DIELECTRIC STRENGTH	1. Inputs - channel to channel (when isolated) : 100VAC, 50/60 Hz for 1 minute 2. Input to Output : Optical - 500VAC, 50/60 Hz for 1 minute 3. Outputs - channel to channel (when isolated) : 100VAC, 50/60 Hz for 1 minute						
OPERATING AMBIENT	0–55°C, 85% RH						
STORAGE AMBIENT	-20°C to 85°C						
TERMINATIONS	INPUT SIDE	Screw type, for 2.5mm sq. wire					
	OUTPUT SIDE	Screw type, for 2.5mm sq. wire					
MOUNTING	35 mm DIN rail						
ORDERING INFORMATION	AS525, - 5V						
	NO. OF CHANNELS	DESIGN NO.	INPUT VOLTAGE	OUTPUT VOLTAGE	DIMENSIONS W x H x D (mm)	WEIGHT (MAX)	
	2	AS522	3.3V : 3.3VDC 5V : 5VDC 12V : 12VDC 15V : 15VDC 24V : 24VDC 152 : 1.3–1.8VDC	5V – 30VDC (10mA)	24 x 80 x 70	50 grams	
	4	AS523			46 x 80 x 70	90 grams	
	6	AS524			68 x 80 x 70	130 grams	
	8	AS525			91 x 80 x 70	150 grams	
	16	AS527			182 x 80 x 70	280 grams	

Note: 1. Current including LED current.