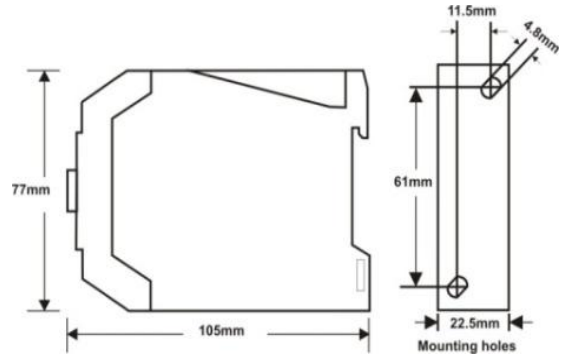


# ANALOG TIMER : TAON-30S, TAON-60S

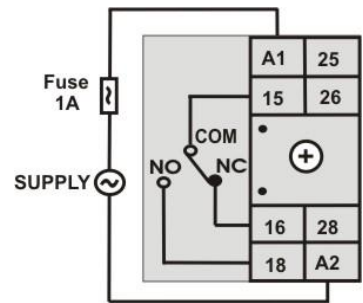


## ON Delay - Economy

Dimensions

All dimensions in mm

<b>FEATURES</b>	<ul style="list-style-type: none"> <li>• Single Range Single Function</li> <li>• Low Cost</li> <li>• High Reliability</li> <li>• Compact</li> <li>• DIN Rail / Base Mounting</li> </ul>		<b>TIME RANGES</b>	<p style="text-align: center;"><b>Timing Diagram</b></p>
			0 – 30 Sec 0 – 60 Sec (Factory Set) ( Refer NOTE below )	
<b>OPERATING MODES</b>	ON Delay			
<b>INDICATIONS</b>	LED Status Indicator : Power ON, Relay ON			
<b>SUPPLY VOLTAGE</b>	<b>SUPPLY VOLTAGE</b>	110V / 230V / 415V AC $\pm 15\%$ , 47 - 63Hz (Refer ordering information below)		
	<b>POWER CONSUMPTION</b>	6VA Max		
	<b>INRUSH CURRENT</b>	Maximum 3.2A , 20ms		
<b>ISOLATION</b>	Supply Terminals – Contact : 1.5KV, 1min.			
<b>OUTPUT SPECIFICATION</b>	<b>OUTPUT CONTACT</b>	SPDT (1 C/O)		
	<b>CONTACT RATING</b>	5A@230V AC, 24V DC, Resistive		
<b>ACCURACY</b>	Setting : $\pm 5\%$ of Full Scale, Repeat : $\pm 0.5\%$ or 50msec of Full Scale.			
<b>RESET</b>	On interruption of power, Reset time < 100msec			
<b>ENDURANCE</b>	<b>POTENTIOMETER</b>	MECHANICAL : 1000 Cycles		
	<b>RELAY</b>	MECHANICAL : 10,000,000 ops. Minimum (1800 ops./hr.) ELECTRICAL : 100,000 ops. Minimum (1200 ops./hr.)		
<b>AMBIENT CONDITIONS</b>	<b>OPERATING AMBIENT</b>	0–55°C, 85% RH		
	<b>STORAGE AMBIENT</b>	-20°C to 85°C		
	<b>HUMIDITY</b>	95% RH non condensing		
<b>GENERAL SPECIFICATIONS</b>	<b>TERMINATIONS</b>	Screw type, for 2.5mm sq. wire		
	<b>MOUNTING</b>	DIN rail / Base Mount		
	<b>WEIGHT</b>	100 gms		
	<b>PROTECTION LEVEL</b>	IP40 for housing, IP20 for terminals, Finger Safe Terminals		
<b>ORDERING INFORMATION</b>	<b>TAON – 30S – 230AC</b>			
	<b>DESIGN NO.</b>	<b>TIME RANGES</b>	<b>SUPPLY VOLTAGE</b>	
	TAON-30S TAON-60S	30S: 30 Sec 60S: 60 Sec (Factory Set)	110AC : 110V AC 230AC : 230V AC 415AC : 415V AC	
<p><b>NOTE :</b> If the time setting is altered , it will be effective from next cycle.</p>				



Terminal Connections