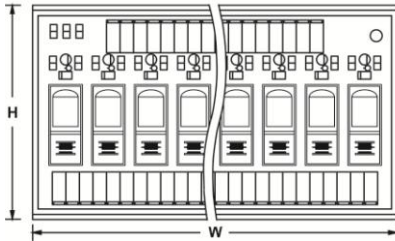
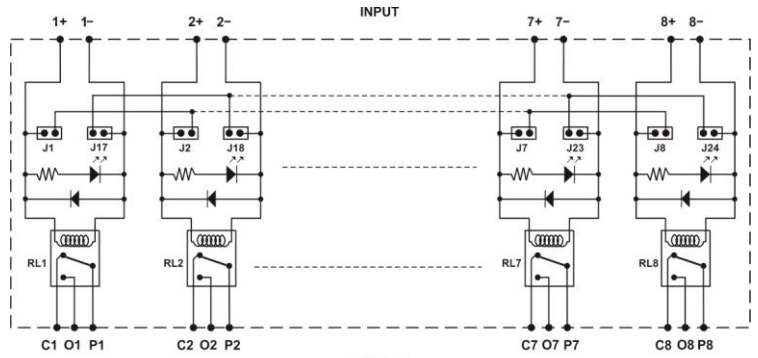
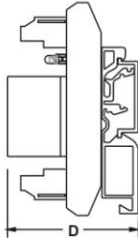


1 C/O Relay Interface Modules With OMRON Relay



Dimensions



Schematic

Note: Default jumper setting for negative looping.

For Positive looping of coils place jumpers at J1, J2 ...J8.
For Negative looping of coils place jumpers at J17, J18 ...J24.



While looping keep all jumpers at positive / negative loop or isolated. Never keep partial positive/negative looping as it causes short circuit at coil side.

NOTE:

C : NC (Normally closed)
O : NO (Normally open)
P : Pole / common

FEATURES	LED & Freewheeling diode across coil Jumpers for Coil Looping				
CONTACT CONFIGURATION	1C/O				
NO. OF CHANNELS	4, 8, 16				
RELAY	RELAY MAKE	OMRON G2RL-1C on Socket mounted			
	NOMINAL COIL VOLTAGE	24VDC			
	MUST OPERATE VOLTAGE	21VDC			
	MUST RELEASE VOLTAGE	6.2VDC			
	MAX. COIL VOLTAGE	26.4VDC			
	COIL CURRENT PER CHANNEL⁽¹⁾	25mA			
	OPERATE (SET) TIME	15 ms max.			
	RELEASE (RESET) TIME	20 ms max.			
	ENDURANCE	Electrical : 100,000 operations min. (at 1,800 operations/hr)			
	MAX. OPERATING FREQUENCY	Mechanical : 18,000 operations/hr Electrical : 1,800 operations/hr			
DIELECTRIC STRENGTH	1. Coil to coil (when isolated) : 100VAC , 50/60 Hz for 1 minute 2. Coil to contact : 2KVAC , 50/60 Hz for 1 minute 3. Contacts of same polarity : 1KVAC , 50/60 Hz for 1 minute 4. Contacts - channel to channel : 1.5KVC, 50/60 Hz for 1 minute				
CONTACT RATING	RELAY	10A@28VDC/230VAC			
	ON BOARD	5A@28VDC/230VAC			
OPERATING AMBIENT	0-55°C, 85% RH				
STORAGE AMBIENT	-20°C to 85°C				
TERMINATIONS	COIL TERMINATION	Screw type, for 2.5mm sq. wire			
	CONTACT TERMINATION	Screw type, for 2.5mm sq. wire			
MOUNTING	35 mm DIN rail				
ORDERING INFORMATION	AS87X, -24V-S-OL				
	NO. OF RELAYS	DESIGN NO.	COIL VOLTAGE, SOCKET & RELAY	DIMENSIONS W x H x D (mm)	WEIGHT (MAX)
	4	AS873	24V : 24VDC S : WITH SOCKET OL : G2RL-1-24VDC OMRON (ALL FIXED)	68 x 80 x 58	130 grams
	8	AS875		137 x 80 x 58	270 grams
16	AS877	270 x 90 x 58		560 grams	

Note : 1. Current including LED current